

**SMART
MID BOYD
LSD**



**ROCKLABS
SMART MID
BOYD LSD**



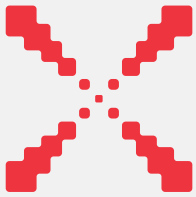
Big inputs and accurate outputs for seriously reliable results.

The Rocklabs Smart Mid Boyd LSD achieves a higher degree of splitting accuracy and is able to split smaller samples with the same accuracy as larger samples. The operator can select two splits of different weights as well as a retained waste sample.

The combo can be equipped with a barcode scanner, have pre-set splitting programs and retain data/sample logging details.

Benefits:

- No manual split adjustment
- Less operator input
- Optional waste feeder
- Sample can be discharged in specialized container (Chrysos, ABM etc.)



Electrical

Voltage VAC	Phases	Frequency Hz	Current A	Power kW
208-240	3 Phase 4 wire	60	23	5.5
380-415	3 Phase 4 wire	50/60	19	5.5
440-480	3 Phase 4 wire	60	19	5.5

Dust Extraction

	Minimum	Maximum
Flow Rate	6.97m ³ /min (245 foot ³ /min)	7.97m ³ /min (280 foot ³ /min)



	Smart Mid Boyd LSD
Input Size	100mm
Output	2mm
Jaw Width	300mm
Capacity	5kg

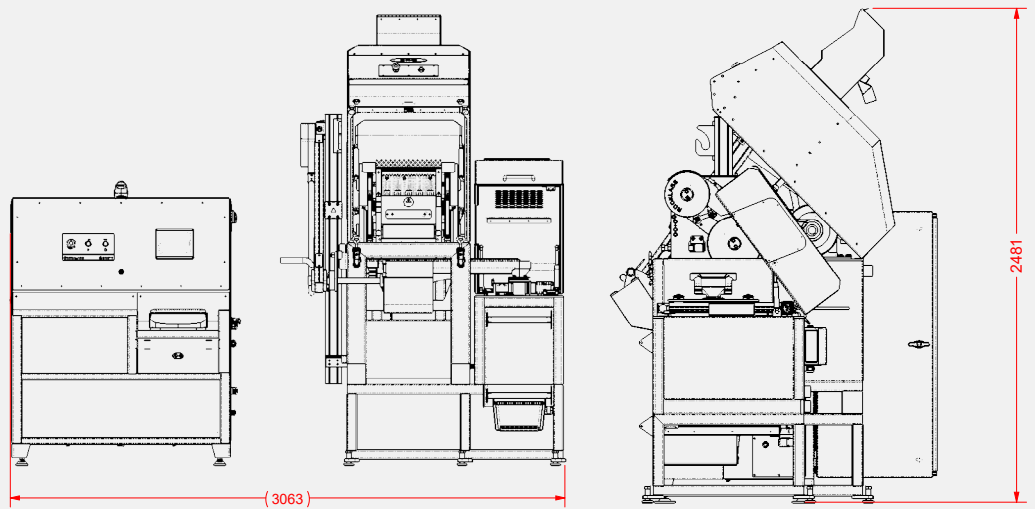
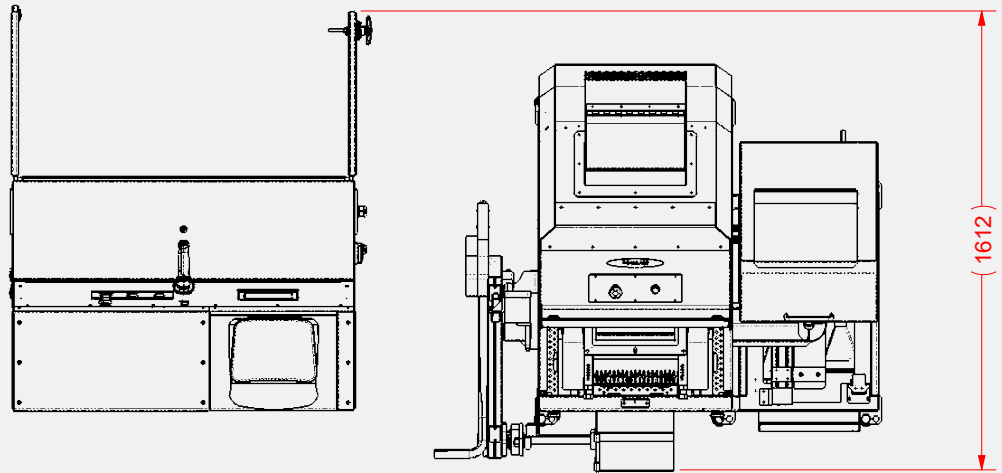
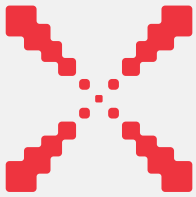
Environmental Limitations

	Minimum	Maximum
Temperature	0°C	45°C
Humidity	5%	95%
Altitude	0m	2000m



	Product	Shipping Crate 1 (Console)	Shipping Crate 2 (Boyd)	Shipping Crate 1 (LSD, riser frame loader)
Height	3063mm	1350mm	970mm	2330mm
Width	2431mm	1599mm	1575mm	1520mm
Depth	1612mm	1030mm	1310mm	1220mm
Weight	1077kg	327kg	327kg	445kg

ROCKLABS
SMART MID
BOYD LSD



Powered by Scott for worldwide support.

The Boyd Mid crusher comes with a 3000-hour or 18-month warranty (whichever comes first). All maintenance and servicing is all backed by international technology and automation company, Scott, for worldwide support.