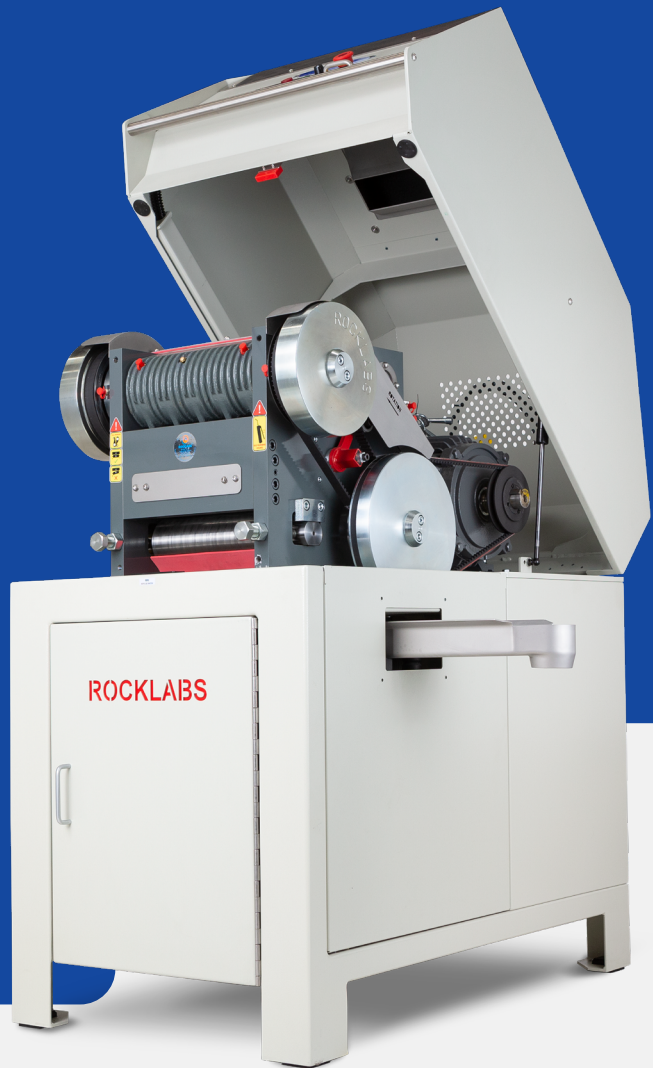


MID BOYD



**ROCKLABS
MID BOYD**



Big inputs and accurate outputs for seriously reliable results.

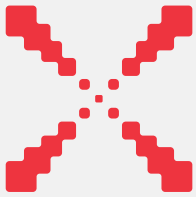
The Rocklabs Mid Boyd crusher accepts samples up to 100mm, reducing to 2mm in a single pass with the jaws able to hold up to a 5kg sample and accepts direct feed of full drill core, including PQ, HQ, NQ, and BQ sizes.

Operation is straightforward and safe with uncompromising features such as improved dust and chip control, full electrical and mechanical safety and improved ergonomics.

With easy maintenance and a streamlined process in mind, the Mid Boyd reduces the time and cost associated with the crushing process.

Benefits:

- Top and bottom moving jaws
- Designed for easy operation
- Reduces sample by 50 times
- Increased input size
- Simplified maintenance
- Stringent safety mechanisms
- Increased warranty



Electrical

Voltage VAC	Phases	Frequency Hz	Current A	Power kW
208-240	3 Phase 4 wire	60	23	5.5
380-415	3 Phase 4 wire	50/60	19	5.5
440-480	3 Phase 4 wire	60	19	5.5

Dust Extraction

	Minimum	Maximum
Flow Rate	2.15m ³ /min (75 foot ³ /min)	2.45m ³ /min (85 foot ³ /min)

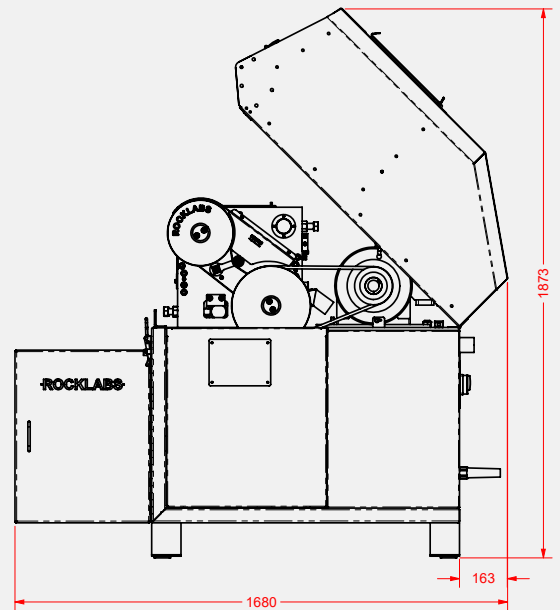
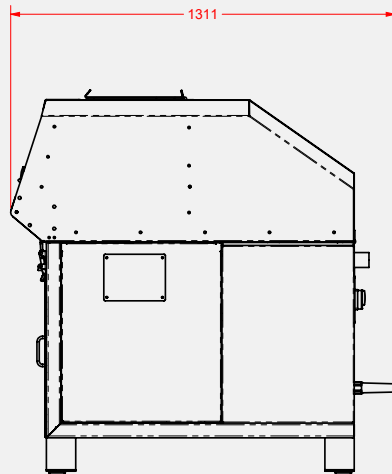
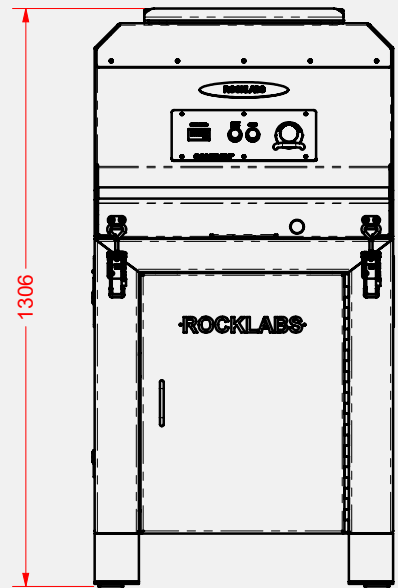
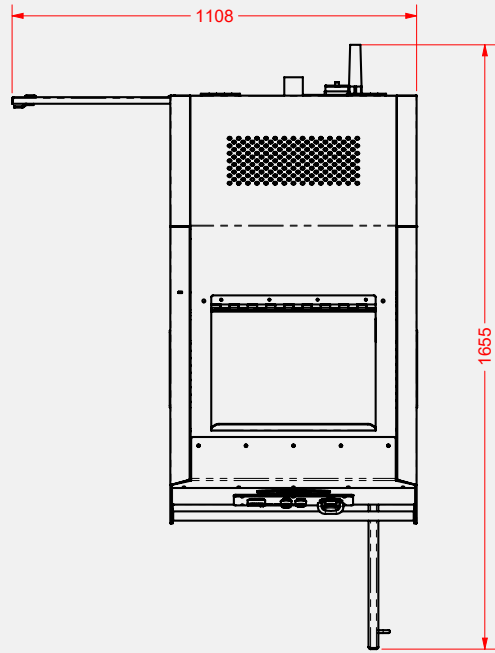
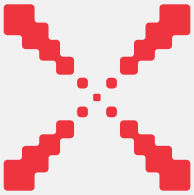


	Mid Boyd
Input Size	100mm
Output	2mm
Jaw Width	300mm
Capacity	5kg



	Product	Shipping
Height	1350mm	1575mm
Width	700mm	970mm
Depth	1050mm	1310mm
Weight	680kg	760kg

ROCKLABS MID BOYD



Powered by Scott for worldwide support.

The Rocklabs Mid Boyd crusher comes with a 3000-hour or 18-month warranty (whichever comes first). All maintenance and servicing is all backed by international technology and automation company, Scott, for worldwide support.