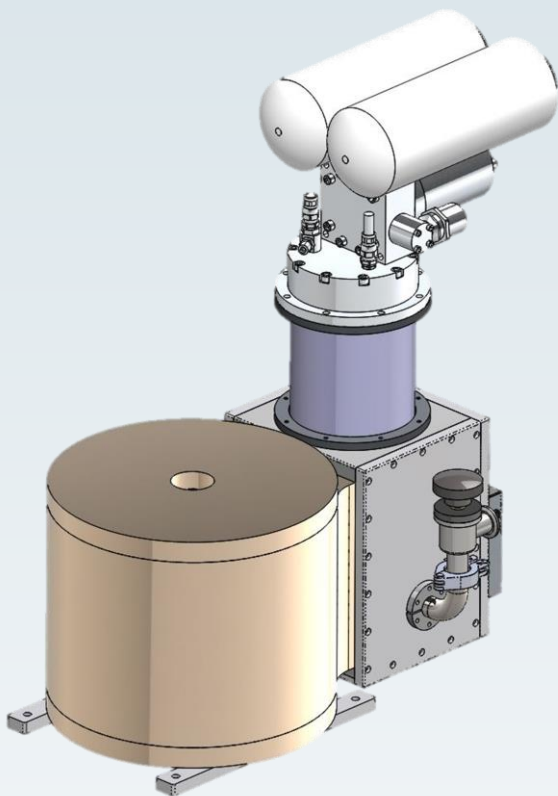


- Cryogen-free
- Compact
- Low fringe field
- Any orientation
- Fast ramping
- RT bore: 40 mm, 53 mm and 80 mm
- 5, 7 or 9 tesla as standard



TYPICAL APPLICATIONS

HTS-110's High Field (HF) range is suitable for numerous applications, including:

- Magneto-optic effect measurements
- Magnetic domain imaging
- Magnetic scattering
- Magnetic circular/linear dichroism
- Hysteresis loop plotting
- Scanning probe microscopy (SPM)
- Electron microscopy

PERFORMANCE AND VERSATILITY

- Rapid ramping: $> 2T/min$
- Fast cool-down
- Any orientation
- Designed to accept third-party variable temperature sample probe

EASY TO USE

- Cryogen-free operation; no helium or nitrogen handling, storage or level monitoring
- No specialist training required to operate

EASY TO SITE

- Low fringe without active shielding
- Magnet power supply and compressor can be sited remotely up to 10 m from magnet

OPTIONAL POLES

- Customisable range of user-changeable poles for specialist applications, with the option of adjustable pole gaps

STANDARD SYSTEM INCLUDES

- Magnet sub-system with integrated cold-head
- Bipolar four-quadrant power supply
- Fast up/down field ramp
- Active magnet protection electronics linked to integrated temperature sensors and voltage taps
- 19" rack-mountable compressor and power supply
- 1 year warranty

OPTIONS

- Closed loop field control
- Unipolar supplies available in standard and high stability configurations
- Low-vibration zero-maintenance pulse-tube cold head options
- Extended warranty, service plan
- 19" rack
- User changeable poles

SPECIFICATIONS

Model	Bore Size (mm)	Peak Field (T)	Height (mm)	Cryostat OD (mm)	Uniformity, 10mm DSV (%)
HF-40-5T	40	5	300	350	0.1
HF-40-7T	40	7	300	350	0.1
HF-40-9T	40	9	300	350	0.1
HF-53-5T	53	5	300	350	0.1
HF-53-7T	53	7	300	350	0.1
HF-53-9T	53	9	350	350	0.1
HF-80-5T	80	5	300	400	0.1
HF-80-7T	80	7	300	400	0.1
HF-80-9T	80	9	350	450	0.1
Maximum operating current				220A	

Overall dimensions (L x W x H): < 850mm x 500mm x 750mm

HTS-110.com

 SCOTT Division

HTS-110
1B Quadrant Drive
5010 Lower Hutt
PO Box 45 146
Lower Hutt 5042
New Zealand
p +64 4 5708 880
e info@hts-110.com

LinkedIn:
Nz.linkedin.com/company/hts-110

