

BOYD LITE



Premium crushing performance at entry level pricing.

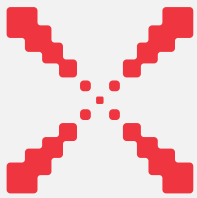
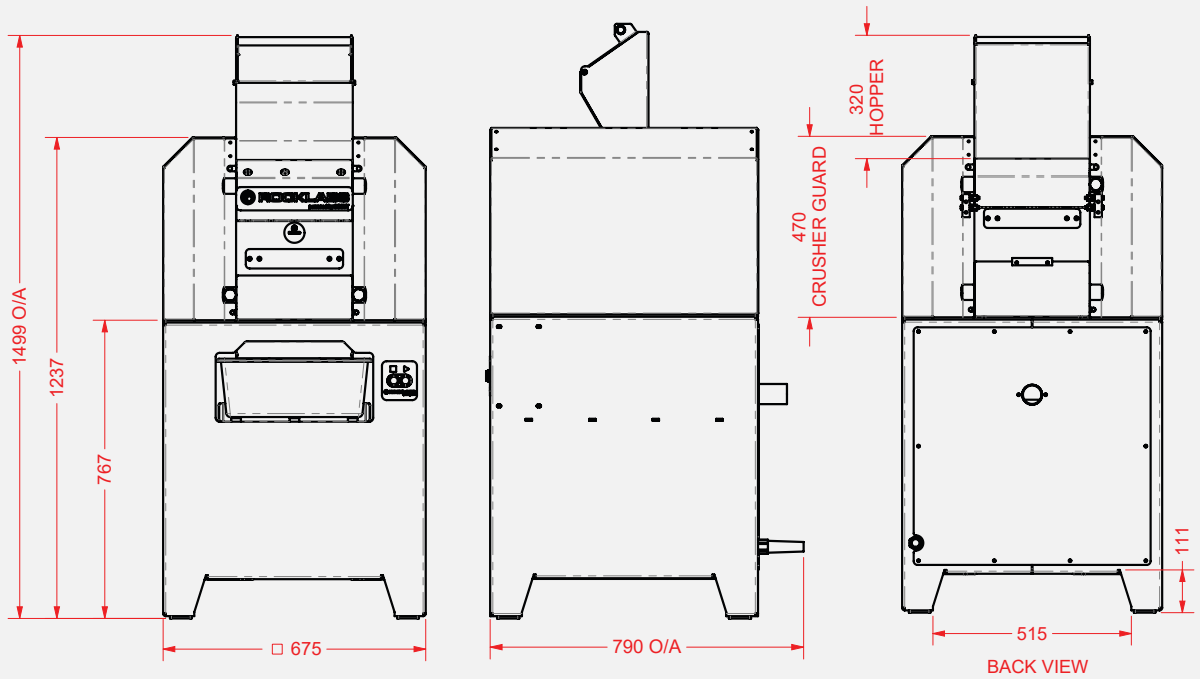
The Rocklabs Boyd Lite Crusher utilizes our double acting fine jaw crushing design, with an input size of up to 70mm.

Featuring top and bottom moving jaws, the Crusher delivers the maximum amount of crushing, reducing samples by 35 times the original size.

Benefits:

- Designed for easy operation
- Simplified maintenance
- Stringent safety mechanisms
- Top and bottom moving jaws
- Improved ergonomics

ROCKLABS BOYD LITE



Electrical

Voltage VAC	Phases	Frequency Hz	Current A	Power kW
380-415	3 Phase 4 wire	50	19	5.5

Dust Extraction

	Minimum	Maximum
Flow Rate	2.15m ³ /min (75 foot ³ /min)	2.45m ³ /min (85 foot ³ /min)



	Boyd Lite
Input Size	70mm
Output	2mm
Jaw Width	300mm
Capacity	5kg



	Product
Height	1500mm
Width	675mm
Depth	790mm
Weight	550kg

Powered by Scott for worldwide support.

All maintenance and servicing is backed by international technology and automation company, Scott, for worldwide support.